

CMR3U-01M    CMR3U-06M  
 CMR3U-02M    CMR3U-10M  
 CMR3U-04M

**SURFACE MOUNT ULTRA FAST  
 RECOVERY SILICON RECTIFIER  
 3 AMP, 100 THRU 1000 VOLTS**



**SMB CASE**



[www.centrasemi.com](http://www.centrasemi.com)

**DESCRIPTION:**

The CENTRAL SEMICONDUCTOR CMR3U-01M Series 3.0 Amp Surface Mount Silicon Ultra Fast Recovery Rectifier is a high quality, well constructed, highly reliable component designed for use in all types of commercial, industrial, entertainment, computer, and automotive applications. To order devices on 12mm Tape and Reel (3000/13" Reel), add TR13 suffix to part number.

**MARKING CODE: SEE MARKING CODE TABLE ON FOLLOWING PAGE**

**FEATURES:**

- Low cost
- High reliability
- Glass passivated chip
- Special selections available
- Superior lot to lot consistency
- "C" bend construction provides strain relief when mounted on PC board

**MAXIMUM RATINGS:** (T<sub>A</sub>=25°C unless otherwise noted)

	SYMBOL	CMR3U -01M	CMR3U -02M	CMR3U -04M	CMR3U -06M	CMR3U -10M	UNITS
Peak Repetitive Reverse Voltage	V <sub>R</sub> RM	100	200	400	600	1000	V
DC Blocking Voltage	V <sub>R</sub>	100	200	400	600	1000	V
RMS Reverse Voltage	V <sub>R</sub> (RMS)	70	140	280	420	700	V
Average Forward Current (T <sub>A</sub> =75°C)	I <sub>O</sub>			3.0			A
Peak Forward Surge Current, tp=8.3ms	I <sub>FSM</sub>			100			A
Operating and Storage Junction Temperature	T <sub>J</sub> , T <sub>stg</sub>			-65 to +175			°C
Thermal Resistance	θ <sub>JL</sub>			30			°C/W

**ELECTRICAL CHARACTERISTICS:** (T<sub>A</sub>=25°C unless otherwise noted)

SYMBOL	TEST CONDITIONS	MAX	UNITS
I <sub>R</sub>	V <sub>R</sub> =Rated V <sub>R</sub> RM	5.0	μA
I <sub>R</sub>	V <sub>R</sub> =Rated V <sub>R</sub> RM, T <sub>A</sub> =100°C	500	μA
V <sub>F</sub>	I <sub>F</sub> =3.0A (CMR3U-01M, -02M)	1.00	V
V <sub>F</sub>	I <sub>F</sub> =3.0A (CMR3U-04M)	1.25	V
V <sub>F</sub>	I <sub>F</sub> =3.0A (CMR3U-06M)	1.40	V
V <sub>F</sub>	I <sub>F</sub> =3.0A (CMR3U-10M)	2.00	V
t <sub>rr</sub>	I <sub>F</sub> =0.5A, I <sub>R</sub> =1.0A, I <sub>rr</sub> =0.25A (CMR3U-01M, -02M, -04M)	50	ns
t <sub>rr</sub>	I <sub>F</sub> =0.5A, I <sub>R</sub> =1.0A, I <sub>rr</sub> =0.25A (CMR3U-06M, -10M)	100	ns

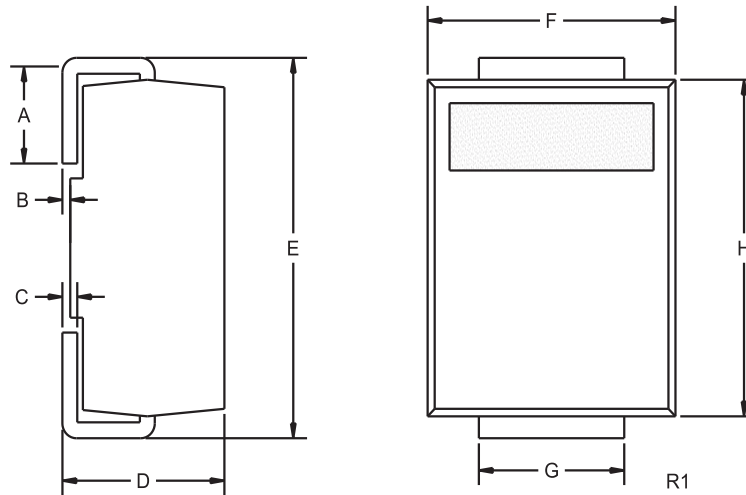
R3 (8-February 2010)

CMR3U-01M    CMR3U-06M  
 CMR3U-02M    CMR3U-10M  
 CMR3U-04M



**SURFACE MOUNT ULTRA FAST  
 RECOVERY SILICON RECTIFIER  
 3 AMP, 100 THRU 1000 VOLTS**

**SMB CASE - MECHANICAL OUTLINE**



DEVICE	MARKING CODE
CMR3U-01M	CU301M
CMR3U-02M	CU302M
CMR3U-04M	CU304M
CMR3U-06M	CU306M
CMR3U-10M	CU310M

SYMBOL	DIMENSIONS			
	INCHES		MILLIMETERS	
	MIN	MAX	MIN	MAX
A	0.030	0.060	0.76	1.52
B	0.004	0.008	0.10	0.20
C	0.006	0.012	0.15	0.30
D	0.086	0.096	2.18	2.44
E	0.200	0.220	5.08	5.59
F	0.130	0.150	3.30	3.81
G	0.077	0.083	1.96	2.11
H	0.160	0.180	4.06	4.57

SMB (REV: R1)

R3 (8-February 2010)

## OUTSTANDING SUPPORT AND SUPERIOR SERVICES



---

### PRODUCT SUPPORT

Central's operations team provides the highest level of support to insure product is delivered on-time.

- Supply management (Customer portals)
- Inventory bonding
- Consolidated shipping options
- Custom bar coding for shipments
- Custom product packing

---

### DESIGNER SUPPORT/SERVICES

Central's applications engineering team is ready to discuss your design challenges. Just ask.

- Free quick ship samples (2<sup>nd</sup> day air)
- Online technical data and parametric search
- SPICE models
- Custom electrical curves
- Environmental regulation compliance
- Customer specific screening
- Up-screening capabilities
- Special wafer diffusions
- PbSn plating options
- Package details
- Application notes
- Application and design sample kits
- Custom product and package development

---

### CONTACT US

#### Corporate Headquarters & Customer Support Team

Central Semiconductor Corp.  
145 Adams Avenue  
Hauppauge, NY 11788 USA  
Main Tel: (631) 435-1110  
Main Fax: (631) 435-1824  
Support Team Fax: (631) 435-3388  
[www.centalsemi.com](http://www.centalsemi.com)

**Worldwide Field Representatives:**  
[www.centalsemi.com/wwreps](http://www.centalsemi.com/wwreps)

**Worldwide Distributors:**  
[www.centalsemi.com/wwdistributors](http://www.centalsemi.com/wwdistributors)

---

For the latest version of Central Semiconductor's **LIMITATIONS AND DAMAGES DISCLAIMER**, which is part of Central's Standard Terms and Conditions of sale, visit: [www.centalsemi.com/terms](http://www.centalsemi.com/terms)