

4

3

2

1

THIS DRAWING IS UNPUBLISHED. RELEASED FOR PUBLICATION AUG '18 .
 © COPYRIGHT 2004 BY TYCO ELECTRONICS CORPORATION. ALL RIGHTS RESERVED.

LOC	DIST	REVISIONS					
		P	LTR	DESCRIPTION	DATE	DWN	APVD
J	-	L1		REVISED PER ECR-10-020322	08OCT10	HMR	TM

1. MATERIAL

- ① HOUSING : HIGH TEMP, THERMO-PLASTIC, UL94V-0, BLACK
- ② CONTACT : COPPER ALLOY
FINISH : Au PL. AT CONTACT AREA ON OVERALL OVER Ni UNDER PL. 0.00127 MIN.
- ③ SOLDER BALL : Sn(63WT%)/Pb FOR LEADED, Sn/Ag/Cu FOR LEAD FREE PRODUCT.
- ④ STIFFENER PLATE : STEEL
- ⑤ LOAD PLATE : STEEL
- ⑥ LEVER : STAINLESS STEEL
- ⑦ CAP : HIGH TEMP. THERMO-PLASTIC, UL94V-0, BLACK

△ INDICATED PRODUCT NAME "LGA771" TO LEADED SOLDER BALL PRODUCT, "LF-LGA771" TO LEAD FREE SOLDER BALL PRODUCT ON THE STIFFENER PLATE.

△ INDICATED DATE CODE ON THE STIFFENER PLATE.

△ THE CIRCLE SHOWS THE CENTER OF GRAVITY OF ASSEMBLY.

△ MINIMUM OPEN ANGLE TO RELEASE.

△ ALLOWABLE OPEN ANGLE.
DON'T OPEN LOAD PLATE WITH FORCE FROM OPEN END.

DESCRIPTION	TRAY COLOR	TRAY TYPE	PART NO.
SUPERSEDED BY 1-1747890-1 LEAD FREE SOLDER BALL	BLUE	B	1-1747890-3
SUPERSEDED BY 1747890-1 LEADED SOLDER BALL	BLACK	B	1747890-3
LEAD FREE SOLDER BALL (0.76um GOLD)	BLUE	B	1-1747890-2
LEADED SOLDER BALL (0.76um GOLD)	BLACK	B	1747890-2
LEAD FREE SOLDER BALL	BLUE	B	1-1747890-1
LEADED SOLDER BALL	BLACK	B	1747890-1

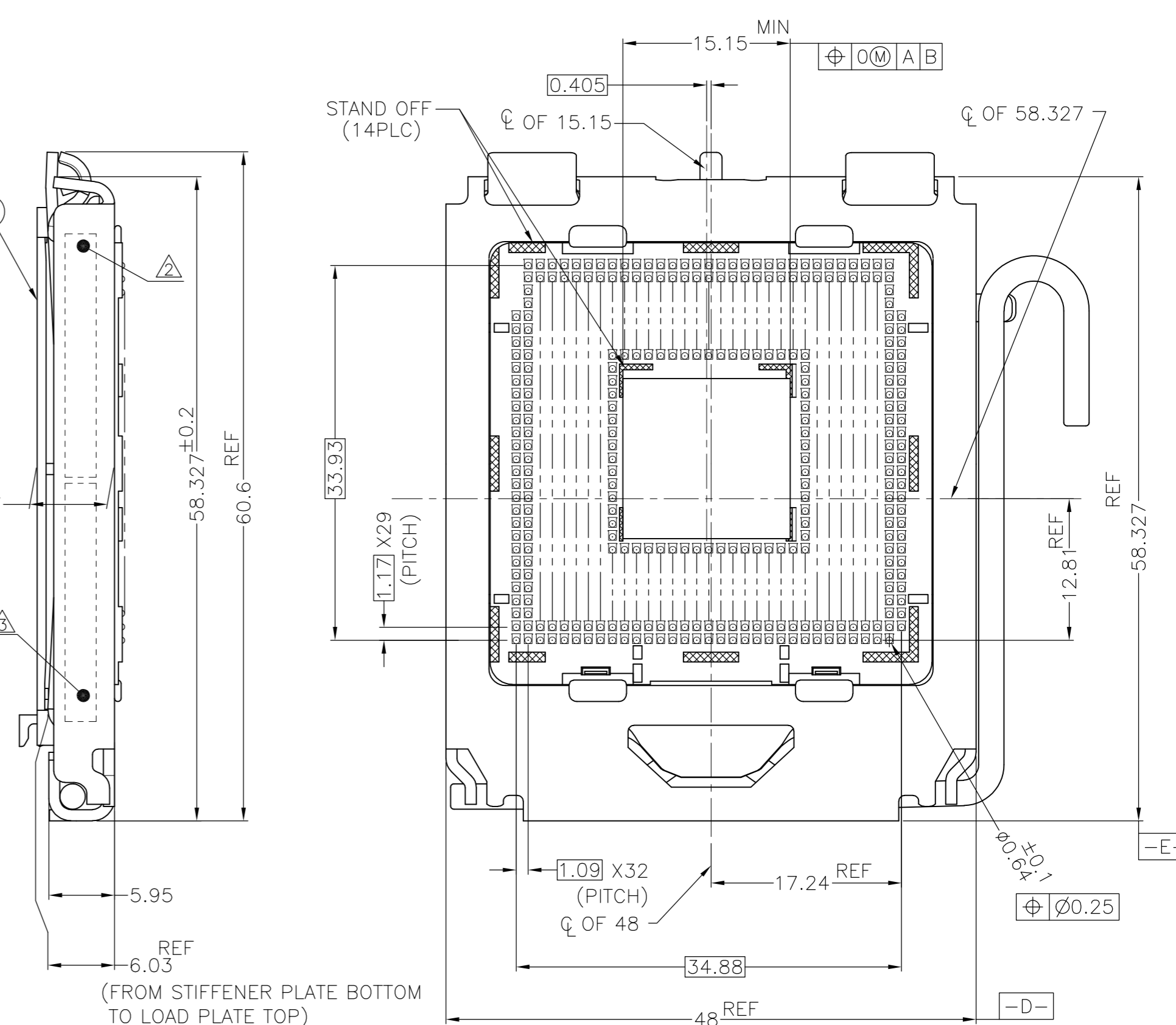
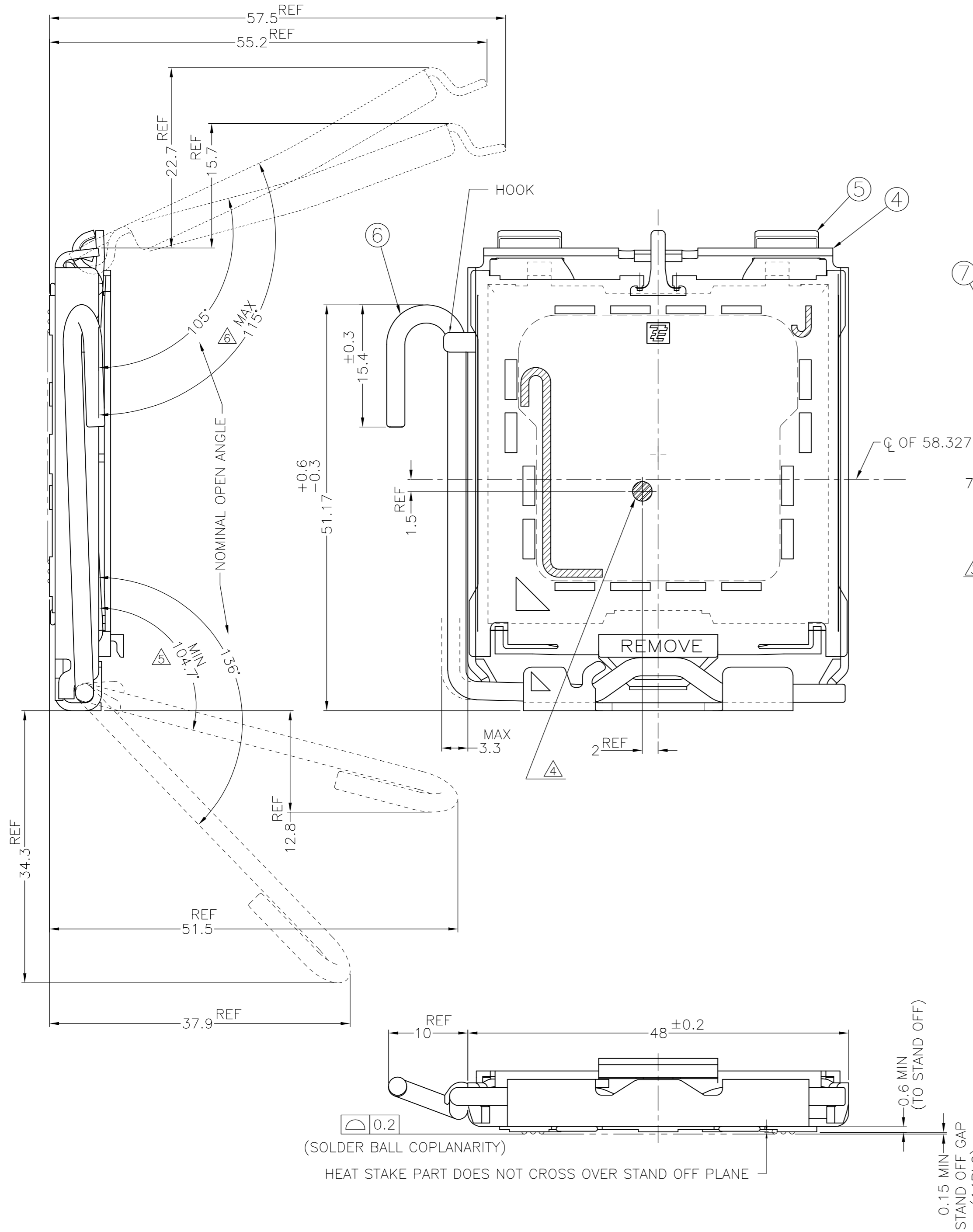
B-B (SCALE 2:1)
(DSL ASS'Y ISN'T SECTIONED)

THIS DRAWING IS A CONTROLLED DOCUMENT.		DWN S.HASHIMOTO 18AUG04	Tyco Electronics AMP K.K. Kawasaki, Japan	
DIMENSIONS: MM	TOLERANCES UNLESS OTHERWISE SPECIFIED:	CHK H.SHIRAI 18AUG04	NAME DSL ASSY LGA771	
MATERIAL SEE NOTE	FINISH SEE NOTE	APVD H.SHIRAI 18AUG04	SIZE A2	CAGE CODE 00779
		PRODUCT SPEC 108-78257	DRAWING NO C=1747890	RESTRICTED TO -
		APPLICATION SPEC 114-5374	SCALE 1:1	SHEET 1 OF 3
		WEIGHT 38.8 g	REV L1	
		CUSTOMER DRAWING		

AMP 1471-9 REV 31MAR2000

THIS DRAWING IS UNPUBLISHED. RELEASED FOR PUBLICATION
 © COPYRIGHT BY TYCO ELECTRONICS CORPORATION. ALL RIGHTS RESERVED.

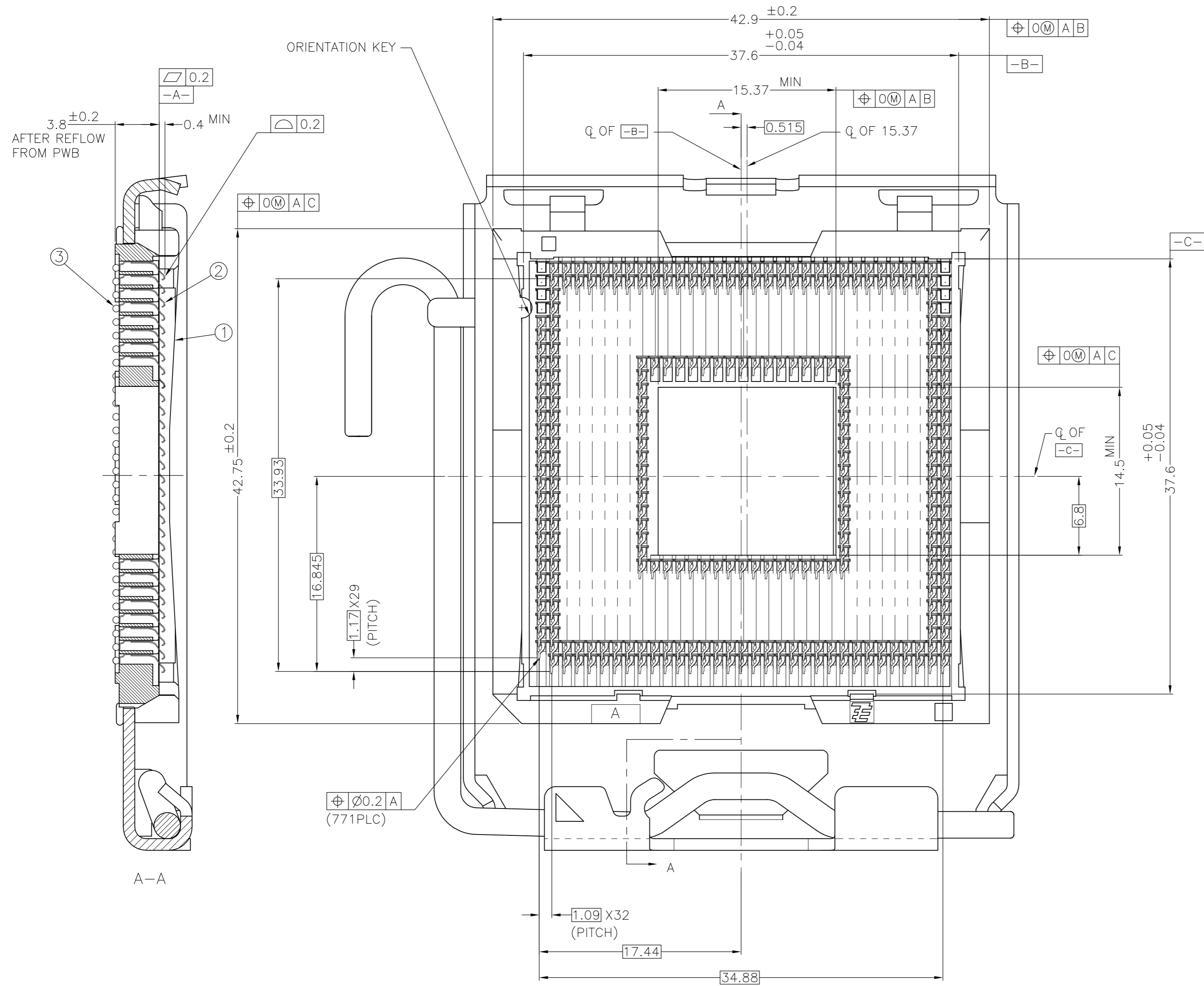
LOC		DIST		REVISIONS			
P	LTR	DESCRIPTION	DATE	DWN	APVD		
-	-	SEE SHEET 1	-	-	-		



THIS DRAWING IS A CONTROLLED DOCUMENT.		DWN	Tyco Electronics Kawasaki, Japan	
DIMENSIONS: MM		CHK	NAME DSL ASS'Y LGA771	
TOLERANCES UNLESS OTHERWISE SPECIFIED:		APVD	SIZE A2	
6 PLC	±0.3	PRODUCT SPEC	CAGE CODE 00779	DRAWING NO C=1747890
1 PLC	±0.3	APPLICATION SPEC	RESTRICTED TO	
2 PLC	±0.3	WEIGHT	SCALE NTS	
3 PLC	±0.3	CUSTOMER DRAWING		
4 PLC	±0.3	SHEET 2 OF 3		
ANGLES	± 3°	REV L1		
FINISH	-			

THIS DRAWING IS UNPUBLISHED. RELEASED FOR PUBLICATION
 © COPYRIGHT BY TYCO ELECTRONICS CORPORATION. ALL RIGHTS RESERVED.

LOC		DIST		REVISIONS			
P	LTR	DESCRIPTION	DATE	DWN	APVD		
-	-	SEE SHEET 1	-	-	-		



THESE VIEWS DON'T SHOW LOAD PLATE AND CAP

THIS DRAWING IS A CONTROLLED DOCUMENT.		DWN	Tyco Electronics AMP K.K. Kawasaki, Japan	
DIMENSIONS: MM		CHK	NAME	
TOLERANCES UNLESS OTHERWISE SPECIFIED:		APVD	DSL ASS'Y LGA771	
Ø PLC ± 0.1 1 PLC ± 0.1 2 PLC ± 0.1 ± 0.3 3 PLC ± 0.1 4 PLC ± 0.1 ANGLES ± 3° FINISH -		PRODUCT SPEC	SIZE	RESTRICTED TO
MATERIAL		APPLICATION SPEC	A2	-
		WEIGHT	00779	
		CUSTOMER DRAWING	CAGE CODE	DRAWING NO
			00779	C=1747890
		SCALE	SHEET	REV
		NTS	3 OF 3	L1