

LXC75H series

LED Power Supply

480VAC Input Constant Current LED Power Supplies

**LED Power
75W**

LED POWER

next generation power source

FEATURES

- High Efficiency (up to 87%)
- High Input 249-528VAC
- Constant Output Current
- Active PFC (Typical 0.95)
- IP67 Waterproof
- OVP, SCP, OTP
- -35 to 70°C deg operation
- UL8750 Approved
- EN61347-1, -2-13 compliant

The LXC75H series of constant current output LED power supplies operates off an input voltage of 249-528VAC making it ideal for 347VAC and 480VAC input lighting systems, such as highway lighting.

The LXC75H series provides up to 3150mA of output current or 214V output voltage solutions for specific LED requirements. With industry leading efficiencies, and an extensive protection feature set, the LXC75H series provides high reliability and high performance in a compact package. The LXC75H series carries the UL and CE mark for safety and is also RoHS compliant.

Model Number	Output Voltage	Output Current	Input Voltage	OVP Latching max	Efficiency
LXC75-0350SH ⁽²⁾	107-214V	350mA	249-528VAC	321V	87.0%
LXC75-0700SH ⁽²⁾	53-107V	700mA	249-528VAC	161V	86.0%
LXC75-1050SH ⁽²⁾	36-72V	1050mA	249-528VAC	108V	87.0%
LXC75-1400SH ⁽³⁾	26-53V	1400mA	249-528VAC	80V	87.0%
LXC75-2100SH ⁽⁴⁾	18-36V	2100mA	249-528VAC	54V	86.0%
LXC75-3150SH ⁽⁴⁾	12-24V	3500mA	249-528VAC	36V	85.0%

Input Specifications					
Parameter	Conditions/Description	Min	Nom	Max	Units
Input Voltage Range		249		528	VAC
Input Frequency Range		47		63	Hz
Input Current	277AC in, 75W output			0.34	A
Leakage Current	480VAC in, 50Hz			0.7	mA
Inrush Current	480VAC in, 25°C, Cold Start			60	A
Power Factor	480VAC, 277VAC	0.90		0.95	
Output Specifications					
Parameter	Conditions/Description	Min	Nom	Max	Units
Line Regulation				±1	%
Load Regulation				±3	%
Voltage Range	See table of outputs				
Output Current Range	See table of outputs				%
Output Current Tolerance				±5	%
Output Current Ripple	% load		20	30	%
Turn-on Delay	Measured at 277/480VAC and full load		1.0	3.0	s
Short Circuit Protection	Auto Recovery				
Over Voltage Protection	Latching. See individual models OVP levels	120	135	150	% Vmax
Over Temp Protection	Latch Mode, 110°C internal component temperature				
General Specifications					
Parameter	Conditions/Description	Min	Nom	Max	Units
Isolation Voltage	Input to Output See Note 1	3750			VAC
	Input to Chassis	1500			VAC
Efficiency	See individual models				
Safety	UL8750, EN61347-1, -2-13, UL1310 - See Note 2,3 & 4				
MTBF	MIL-HDBK-217F, 480VAC input, 80% load, 25°C		380,000		Hours
Lifetime	480VAC input, 80% load, 45°C		140,000		Hours
Weight			1000		g
Operating Temperature		-35		+70	°C
Storage Temperature		-40		+85	°C
Relative Humidity	Non-condensing (operating)	10		100	%RH

- Note 1. Primary to Secondary Isolation test not to be carried out on power supply.
 Note 2. Non - UL1310 Class 2 output in USA and Canada.
 Note 3. UL1310 Class 2 output for in USA only.
 Note 4. UL1310 Class 2 outputs for USA and Canada.

Specifications are subject to change without notice



LXC75H Preliminary Datasheet 16 Mar 2012

Europe/Asia

Excelsys Technologies Ltd t: +353 21 4354716
 27 Eastgate Drive f: +353 21 4354864
 Eastgate Business Park e: sales@excelsys.com
 Little Island, Cork, Ireland
 IRELAND

North America

Excelsys Technologies t: (972) 771 4544
 519 Interstate 30, #309 f: (972) 421 1805
 Rockwall, TX 75087 e: salesusa@excelsys.com
 USA

EMC				
Parameter	Standard		Level	Units
Emissions				
Conducted	EN55015		Compliant	
Radiated	EN55015		Compliant	
Harmonic Distortion	EN61000-3-2		Compliant	
Flicker and Fluctuation	EN61000-3-3		Compliant	
Immunity				
ESD	EN61000-4-2		Level 3 (A)	
Radiated RFI	EN61000-4-3		Level 3 (A)	
Fast Transients - burst	EN61000-4-4		Level 3 (A)	
Surge Immunity	EN61000-4-5		Compliant	
Conducted RFI	EN61000-4-6		Level 3 (A)	
Power Freq Magnetic Field	EN61000-4-8		Compliant	
Voltage Dips	EN61000-4-11		Compliant	

INPUT / OUTPUT WIRING

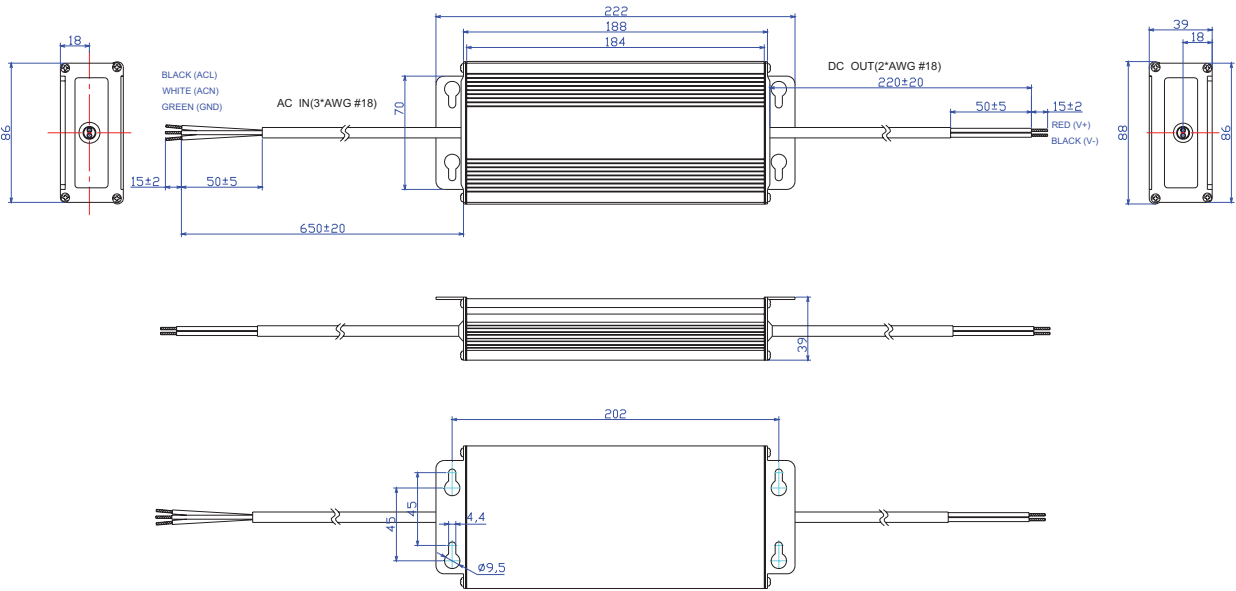
INPUT CABLE

SJTW 18AWG 3C
Black (L), White(N), Green(E) 650±20mm

OUTPUT CABLE

SJTW 18AWG 2C
Black (-V) and Red (+V) 220±20mm

MECHANICAL SPECIFICATIONS



Specifications are subject to change without notice



Europe/Asia		North America	
Excelsys Technologies Ltd	t: +353 21 4354716	Excelsys Technologies	t: (972) 771 4544
27 Eastgate Drive	f: +353 21 4354864	519 Interstate 30, #309	f: (972) 421 1805
Eastgate Business Park	e: sales@excelsys.com	Rockwall, TX 75087	e: salesusa@excelsys.com
Little Island, Cork, Ireland		USA	
IRELAND			